

## Instructions: B472/572 Printhead Replacement

**NOTE:** Never loosen screws other than two SM-4x8B.

- 1) Turn the head lever clockwise to lower the print head. Remove the two SM-4x8B screws.
- 2) Turn the head lever counterclockwise and disconnect the two connectors to detach the print head from the print block.

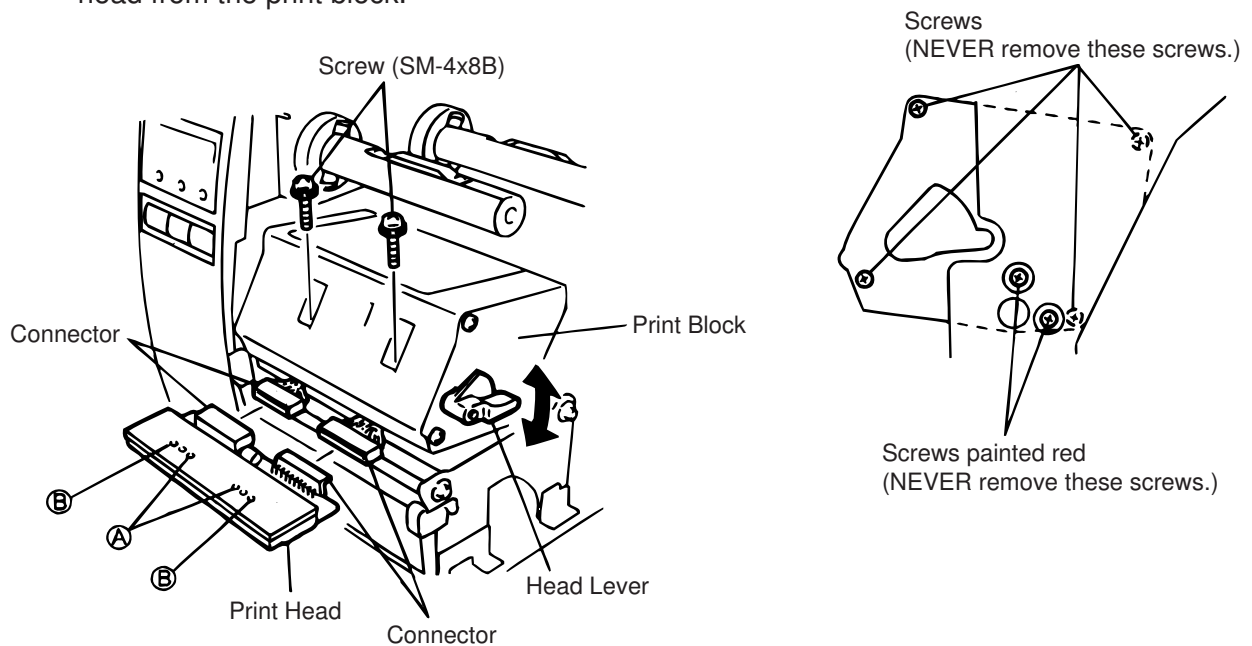


Fig. 2-15

- 3) Replace the print head and connect the connectors.
- 4) Align the two holes A in the middle of the print head with the print head position adjusting pins provided in the print block and fit the print head into the print block.
- 5) Turn the head lever clockwise and secure the print head with screws in the holes B.

**NOTE:** Use caution to prevent damage to the element during print head adjustment.

**NOTE:** Never loosen screws C unless print position fine adjustment is required because they have been adjusted properly. Doing so will change the adjustment.